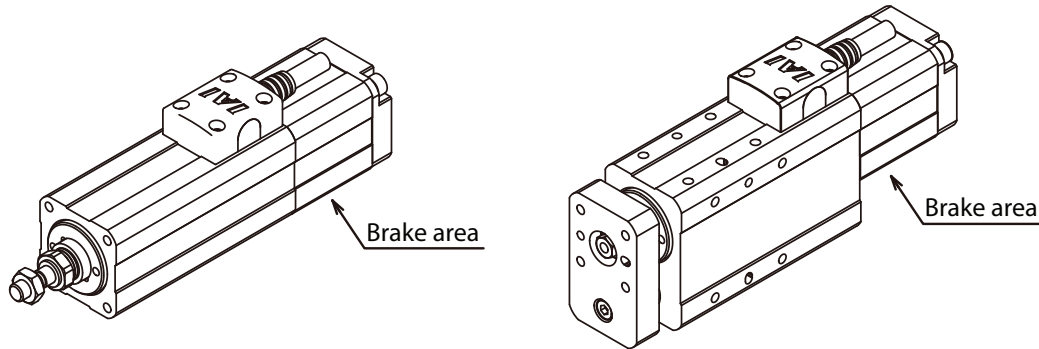


Mini ROBO Cylinder Rod Type / Table Type Brake Equipped Models Catalog

Mini ROBO Cylinder rod type / table type with brake option has been added.
Adding a brake to the rear of the main body will change the size and appearance of the actuator.



Models targeted to have the brake option

RCA2-RN□NA/RP□NA/GS□NA/GD□NA/TCA□NA/TWA□NA/TFA□NA
RCS2-RN5N/RP5N/GS5N/GD5N/TCA5N/TWA5N/TFA5N

(* The slider type cannot have a brake option due to the design of the actuator.)

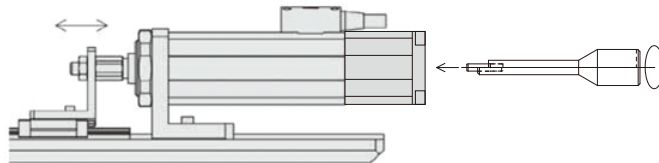
Model description

- For the brake option, add "B" at the end as an option item.

Example RCA2-RN3NA-I-10-4-30-A3-P-B

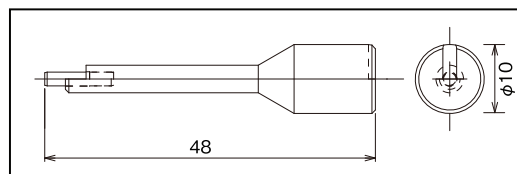
Position adjustment knob (the nut must be fixed for the fixed nut type/tapped-hole type)

The position adjustment knob is a necessary tool for adjusting the position of the rod (screw) when the nut is fixed (kept from rotating) such as when an external guide is installed below the unit.
(Brake type only)

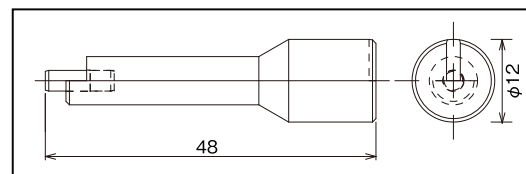


- Targeted models
 - ① RCA2-RN3NA/RN4NA/RP3NA/RP4NA
 - ② RCS2-RN5N/RP5N

Position
adjustment
knob



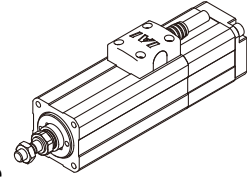
① For **RCA2**
Model: RCA2-AK-R4B



② For **RCS2**
Model: RCS2-AK-R5B

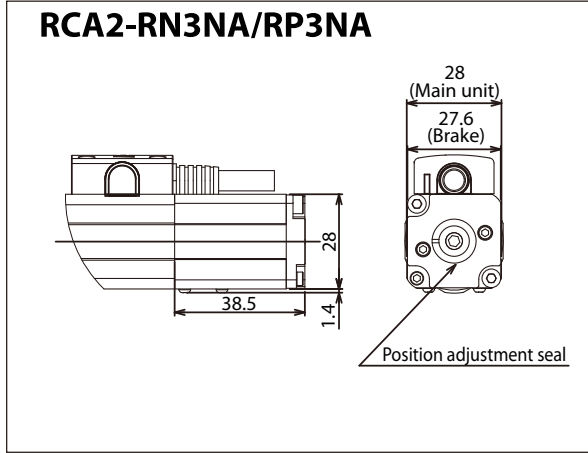
<RCA2-□□3NA>

Dimensional Drawings



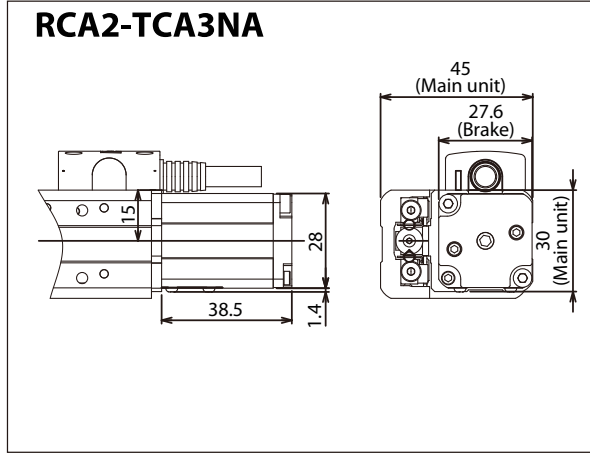
■ Rod type: Fixed nut type/Tapped-hole type

RCA2-RN3NA/RP3NA



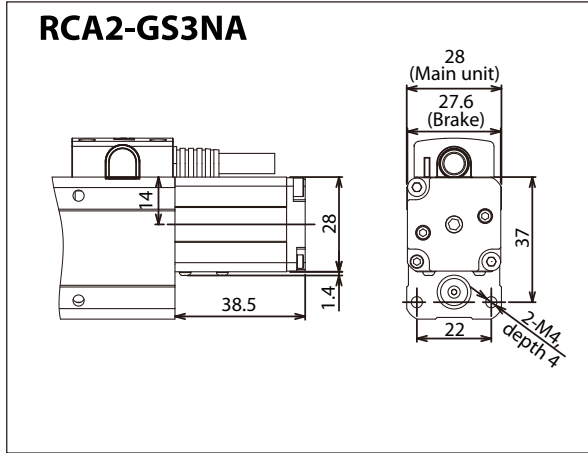
■ Table type: Compact type

RCA2-TCA3NA



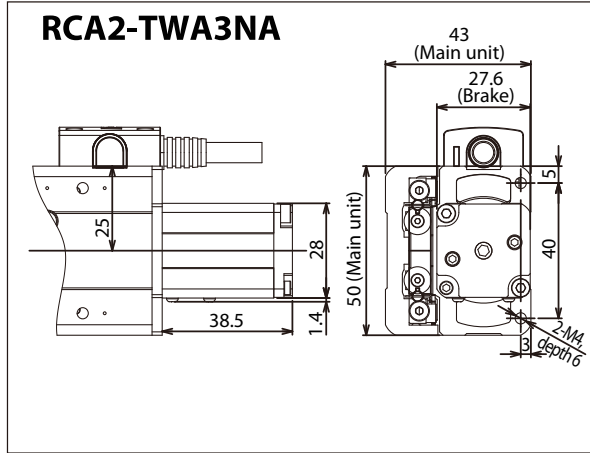
■ Rod type: Single guide type

RCA2-GS3NA



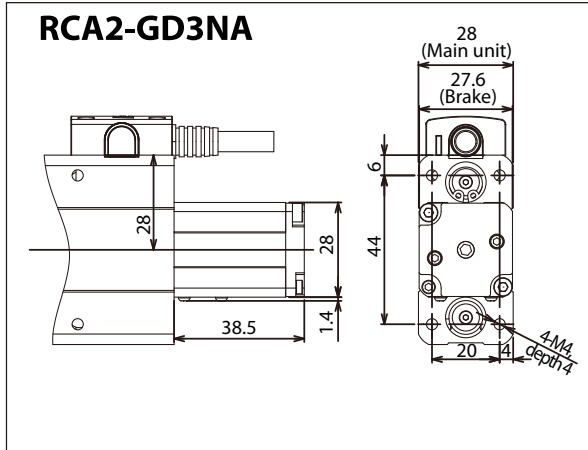
■ Table type: Wide type

RCA2-TWA3NA



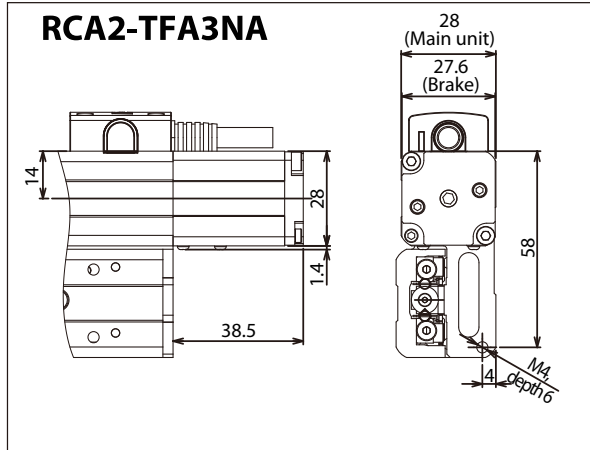
■ Rod type: Double guide type

RCA2-GD3NA



■ Table type: Flat type

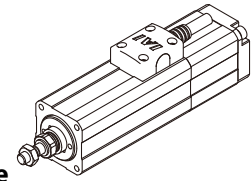
RCA2-TFA3NA



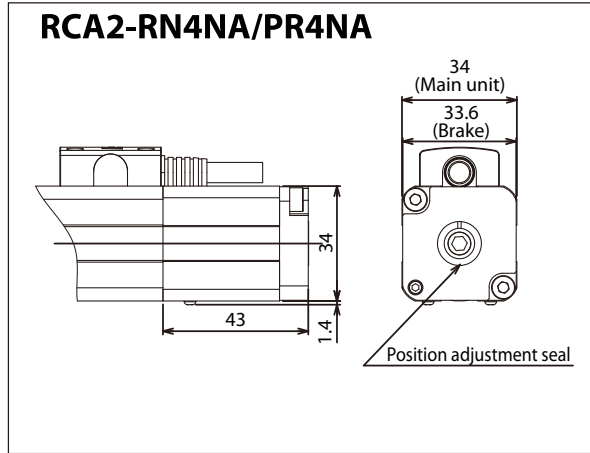
Note (1) For the dimensions of the parts other than the brake, please refer to the drawing corresponding to the standard product.

<RCA2-□□4NA>

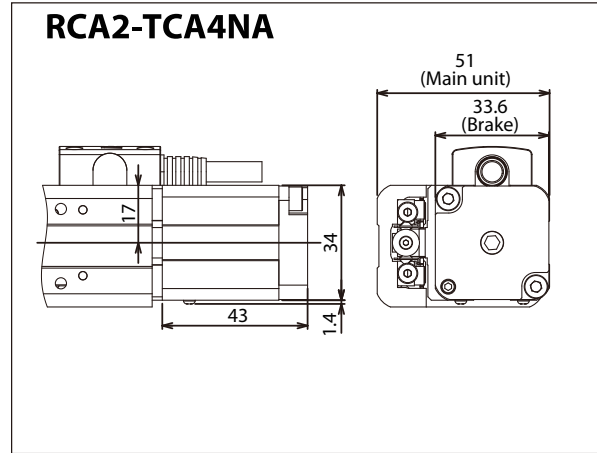
Dimensional Drawings



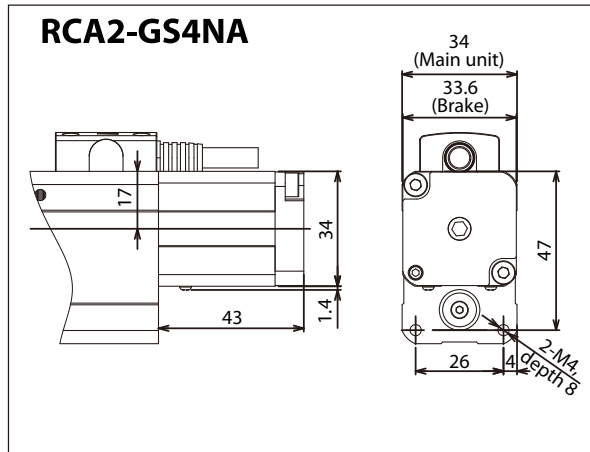
■ Rod type: Fixed nut type/Tapped-hole type



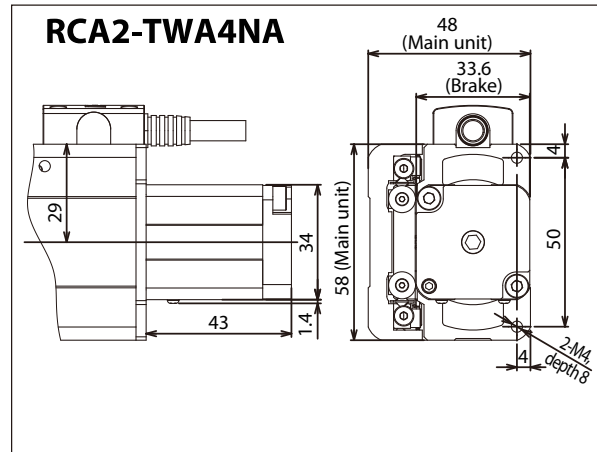
■ Table type: Compact type



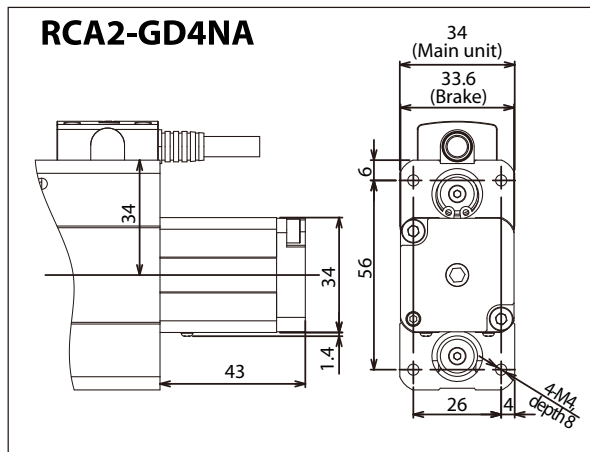
■ Rod type: Single guide type



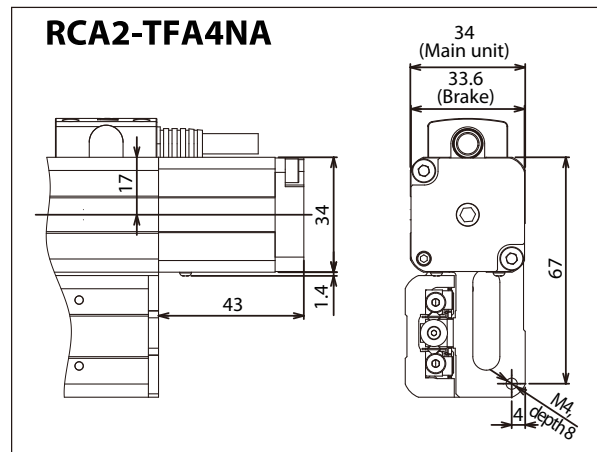
■ Table type: Wide type



■ Rod type: Double guide type



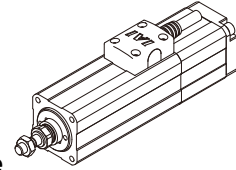
■ Table type: Flat type



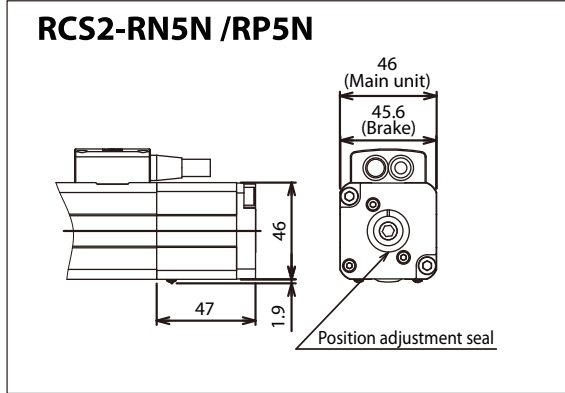
Note (1) For the dimensions of the parts other than the brake, please refer to the drawing corresponding to the standard product.

<RCS2-□□5N>

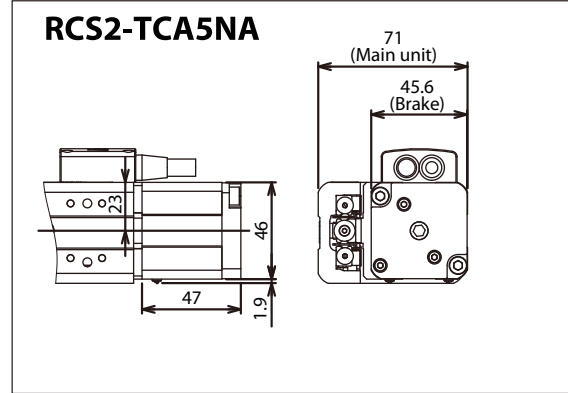
Dimensional Drawings



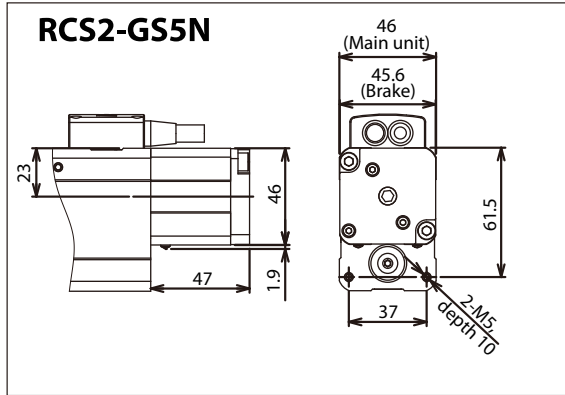
■ Rod type: Fixed nut type / Tapped-hole type



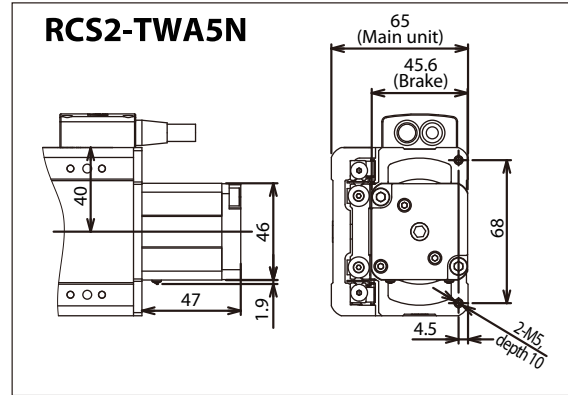
■ Table type: Compact type



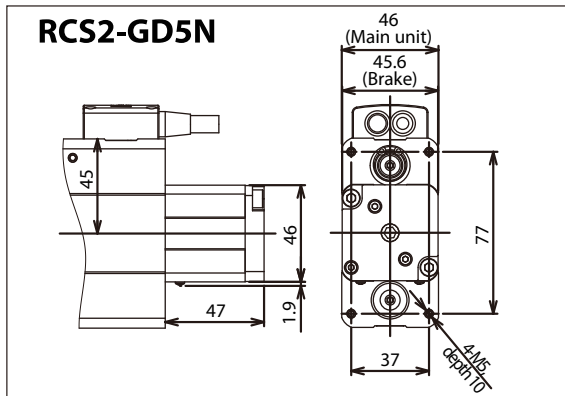
■ Rod type: Single guide type



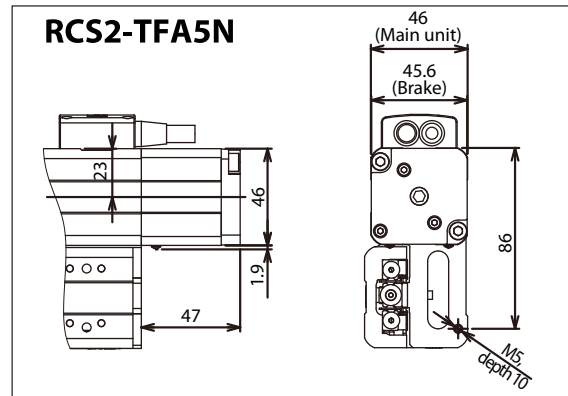
■ Table type: Wide type



■ Rod type: Double guide type



■ Table type: Flat type



Note (1) For the dimensions of the parts other than the brake, please refer to the drawing corresponding to the standard product.